


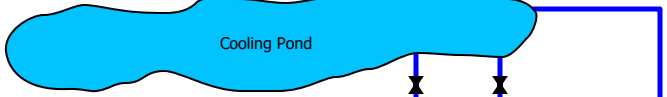
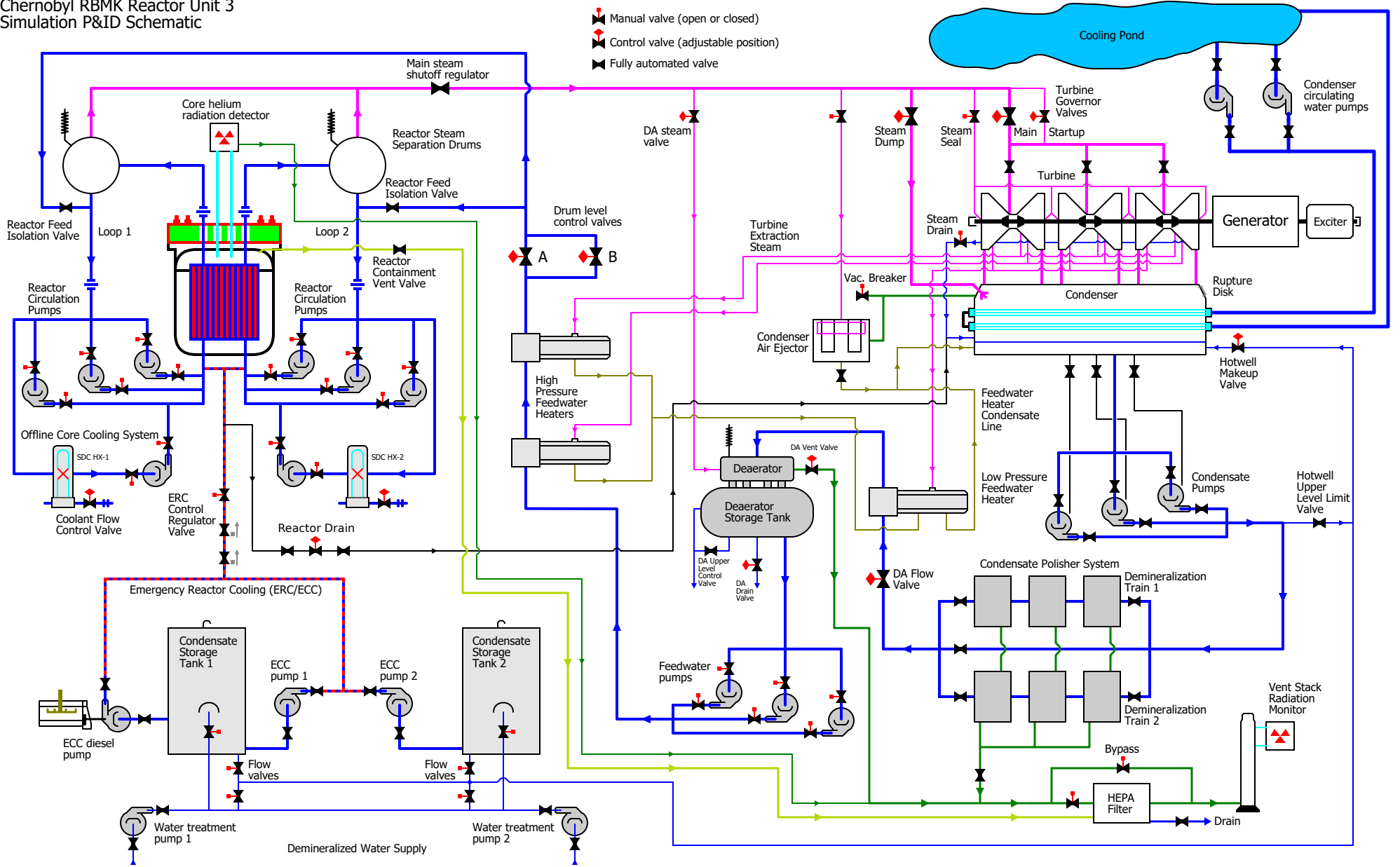


Chernobyl RBMK Reactor Unit 3 Simulation P&ID Schematic

-  Manual valve (open or closed)
-  Control valve (adjustable position)
-  Fully automated valve



Reactor Feed Isolation Valve

Core helium radiation detector

Reactor Steam Separation Drums

Reactor Feed Isolation Valve

Reactor Circulation Pumps

Reactor Circulation Pumps

Reactor Containment Vent Valve

Offline Core Cooling System

ERC Control Regulator Valve

Coolant Flow Control Valve

Reactor Drain

Emergency Reactor Cooling (ERC/ECC)

Condensate Storage Tank 1

ECC pump 1

ECC pump 2

Condensate Storage Tank 2

Water treatment pump 1

Demineralized Water Supply

Water treatment pump 2

Main steam shutoff regulator

Drum level control valves

A

B

High Pressure Feedwater Heaters

High Pressure Feedwater Heaters

Deaerator

Deaerator Storage Tank

Feedwater pumps

Feedwater pumps

Cooling Pond

Condenser circulating water pumps

Turbine Governor Valves

Main Startup

Turbine

Generator

Exciter

Steam Drain

Vac. Breaker

Condenser

Rupture Disk

Hotwell Makeup Valve

Feedwater Heater Condensate Line

Low Pressure Feedwater Heater

Condensate Pumps

Hotwell Upper Level Limit Valve

Condensate Polisher System

Demineralization Train 1

Demineralization Train 2

Bypass

HEPA Filter

Vent Stack Radiation Monitor

Drain